

DS-2CD2T25FWD-I5 2 MP Ultra-Low Light Network Bullet Camera



Key Features

- Up to 2 megapixel high resolution
- Max. 1920 × 1080 @30fps
- 4mm fixed lens
- Ultra-low light
- H.265, H.265+, H.264+, H.264
- 120dB Wide Dynamic Range
- 3D Digital Noise Reduction
- 12 VDC & PoE (802.3af)
- IR range: 50m
- Support on-board storage, up to 128 GB
- IP67



Specification

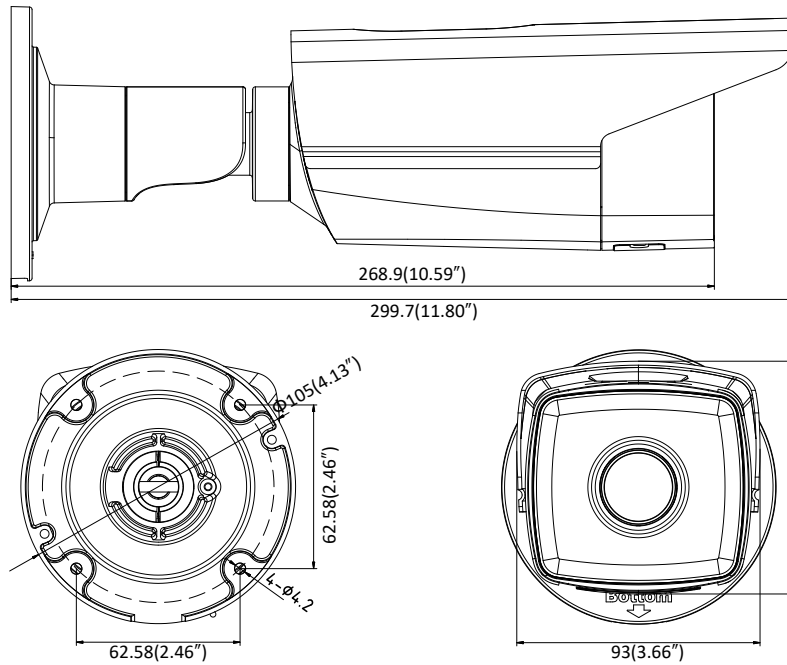
Camera	
Image Sensor	1/2.8" Progressive Scan CMOS
Min. Illumination	Color: 0.005 lux @(F1.2, AGC ON), 0 lux with IR
Shutter Speed	1/3 s to 1/100,000 s
Slow Shutter	Support
Lens	4 mm, horizontal field of view: 86.4°
Lens Mount	M12
Iris	F1.6
Day & Night	IR cut filter
DNR	3D DNR
Wide Dynamic Range	120dB
3-Axis Adjustment (bracket)	Pan: 0° to 360°, tilt: 0° to 100°, rotate: 0° to 360°
Compression Standard	
Video Compression	Main stream: H.265/H.264 Sub stream: H.265/H.264/MJPEG Third stream: H.265/H.264
H.264 Type	Main Profile/High Profile
H.264+	Support
H.265 Type	Main Profile
H.265+	Support
Video Bit Rate	32 Kbps to 16 Mbps
Image	
Max. Resolution	1920 × 1080
Main Stream	50Hz: 25fps (1920 × 1080, 1280 × 960, 1280×720) 60Hz: 30fps (1920 × 1080, 1280 × 960, 1280×720)
Sub Stream	50Hz: 25fps (640 × 360, 352 × 288) 60Hz: 30fps (640 × 360, 352 × 240)
Third Stream	50Hz: 25fps (1920 × 1080, 1280×720, 640 × 360, 352 × 288) 60Hz: 30fps (1920 × 1080, 1280×720, 640 × 360, 352 × 240)
Image Enhancement	BLC/3D DNR
Image Settings	Support rotate mode. Brightness, contrast, saturation, and sharpness are adjustable via web browser and client software
ROI (Region of Interest)	Support 1 fixed region for mainstream and sub stream separately
Day/Night Switch	Auto/Scheduled
Network	
Network Storage	Support microSD/SDHC/SDXC card (128G) local storage, NAS (NFS,SMB/CIFS), ANR
Alarm Trigger	Motion Detection, Tampering Alarm, Network Disconnected, IP Address Conflict, Illegal Login, HDD full, HDD error
Protocols	TCP/IP, UDP, ICMP, HTTP, HTTPS, FTP, DHCP, DNS, DDNS, RTP, RTSP, RTCP, PPPoE, NTP, UPnP, SMTP, SNMP, IGMP, 802.1X, QoS, IPv6
Standard	ONVIF (PROFILE S, PROFILE G), PSIA, CGI, ISAPI

General Function	One-key Reset, Anti-Flicker, Heartbeat, Mirror, Password Protection, Privacy Mask, Watermark, IP Address Filter
Interface	
Communication Interface	1 RJ45 10M/100M self-adaptive Ethernet port
On-board Storage	Built-in microSD/SDHC/SDXC slot, up to 128 GB
Smart Feature-set	
Behavior Analysis	Line crossing detection, intrusion detection, unattended baggage detection, object removal detection
Line Crossing Detection	Cross a pre-defined virtual line, up to 1 pre-defined virtual lines supported
Intrusion Detection	Enter and loiter in a pre-defined virtual region, up to 1 pre-defined virtual regions supported
Object Removal Detection	Objects removed from the pre-defined region, such as the exhibits on display.
Unattended Baggage Detection	Objects left over in the pre-defined region such as the baggage, purse, dangerous materials
General	
Operating Conditions	-30 °C to +60 °C (-22 °F to +140 °F), Humidity 95% or less (non -condensing)
Power Supply	12 VDC± 25%, PoE(802.3af 42.5 – 57 V, class 3)
Power Consumption	-I5: 12 VDC± 25%, 7 W; PoE, 9 W
IR Range	-I5: up to 50 m -I8: up to 80 m
Protection Level	IP67
Dimensions	Camera: $\Phi 105 \times 299.7$ mm ($\Phi 4.13'' \times 11.80''$) Package: $386 \times 156 \times 155$ mm ($15.2'' \times 6.14'' \times 6.1''$)
Weight	1200 g (2.65 lb.)

Available Models

DS-2CD2T25FWD-I5(2.8 mm), DS-2CD2T25FWD-I5(4 mm), DS-2CD2T25FWD-I5(6 mm), DS-2CD2T25FWD-I5(8 mm), DS-2CD2T25FWD-I5(12 mm)
 DS-2CD2T25FWD-I8(2.8 mm), DS-2CD2T25FWD-I8(4 mm), DS-2CD2T25FWD-I8(6 mm), DS-2CD2T25FWD-I8(8 mm), DS-2CD2T25FWD-I8(12 mm)

Dimensions



Unit: mm

Accessories



DS-1280ZI-S

Junction Box

Distributed by



HIKVISION

Headquarters

No.555 Qianmo Road, Binjiang District,
Hangzhou 310051, China
T +86-571-8807-5998
overseasbusiness@hikvision.com

Hikvision USA
T +1-909-895-0400
sales.usa@hikvision.com

Hikvision Italy
T +39-0438-6902
info.it@hikvision.com

Hikvision Singapore
T +65-6684-4718
sg@hikvision.com

Hikvision Africa
T +27 (0) 0351172
sale.africa@hikvision.com

Hikvision Europe
T +31-23-55-42-770
info.eu@hikvision.com

Hikvision France
T +33(0)1-85-330-450
info.fr@hikvision.com

Hikvision Oceania
T +61-2-8599-4233
salesau@hikvision.com

Hikvision Hong Kong
T +852-2151-1761

Hikvision Middle East
T +971-4-8816086
salesme@hikvision.com

Hikvision Spain
T +34-91-737-16-55
info.es@hikvision.com

Hikvision Canada
T +1-909-895-0400
sales.usa@hikvision.com

Hikvision Russia
T +7-495-669-67-99
saleru@hikvision.com

Hikvision Poland
T +48-22-460-01-50
poland@hikvision.com

Hikvision Korea
T +82-31-731-8841
sales.korea@hikvision.com

Hikvision India
T +91-22-28469900
sales@pramahikvision.com

Hikvision UK
T +01628-902140
support.uk@hikvision.com

Hikvision Brazil
T +55 11 3318-0050
Latam.support@hikvision.com